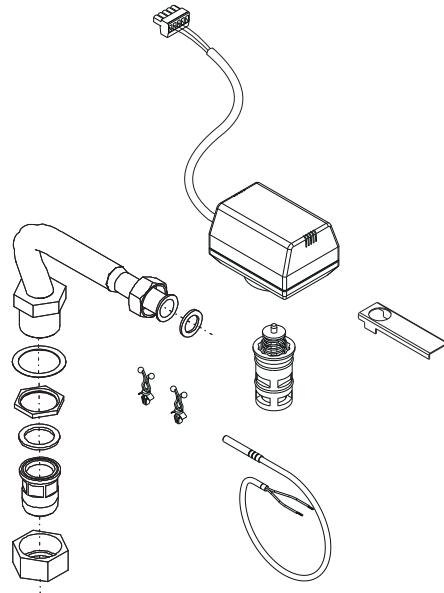


Installation Information

Selective Valve Kit

for boiler from 35 to 50 kW



6 720 812 034-00.1GX

7716842130

Contents

1 Explanation of symbols and safety instructions 2

1.1 Key to symbols 2

1.2 Safety instructions 2

2 Presentation 2

2.1 Description 2

2.2 Composition 2

3 Installation 3

3.1 Kit Assembly 3

3.2 Hydraulic Connection 4

3.3 Electrical Connection 5

1 Explanation of symbols and safety instructions

1.1 Key to symbols

Symbol	Meaning
▶	Step in an action sequence
→	Cross-reference to another part of the document
•	List entry
-	List entry (2nd level)

Table 1

1.2 Safety instructions

The installation/assembly must be carried out by a specialist who is qualified to perform the relevant operations and pursuant to the applicable regulations.

- ▶ These instructions must be observed to ensure correct operation.
- ▶ Also follow the instructions for the components, accessories and spare parts of the installation.
- ▶ Prior to any intervention, ensure that the electricity, gas and water supplies are cut off.
- ▶ Drain the boiler before assembling the kit.

2 Presentation

2.1 Description

The selective valve kit can be used for connecting a heat-only boiler to a DHW storage tank.

2.2 Composition

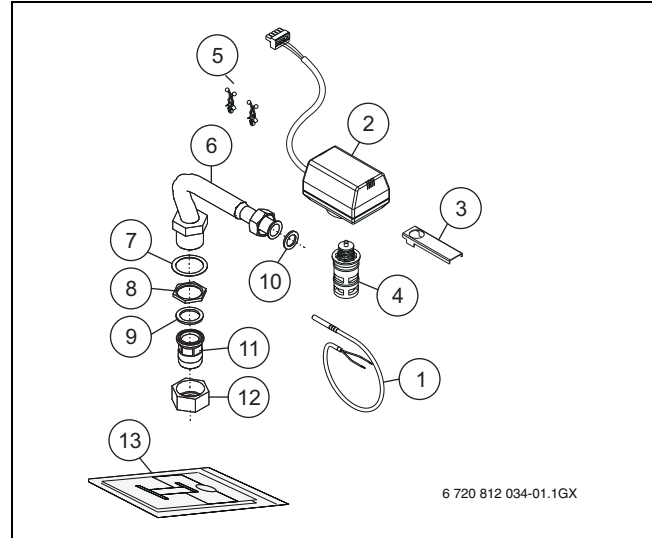


Fig. 1

- [1] Domestic water sensor
- [2] Wired selective valve motor
- [3] Assembly wrench
- [4] Valve body cartridge
- [5] 2 Twist-Lock cable clips
- [6] Tank return tube
- [7] Washer
- [8] Counter-nut
- [9] Seal 30x21x3
- [10] Seal 24x17x3
- [11] Coupling
- [12] Nut for flared nipple
- [13] Installation information

3 Installation

3.1 Kit Assembly

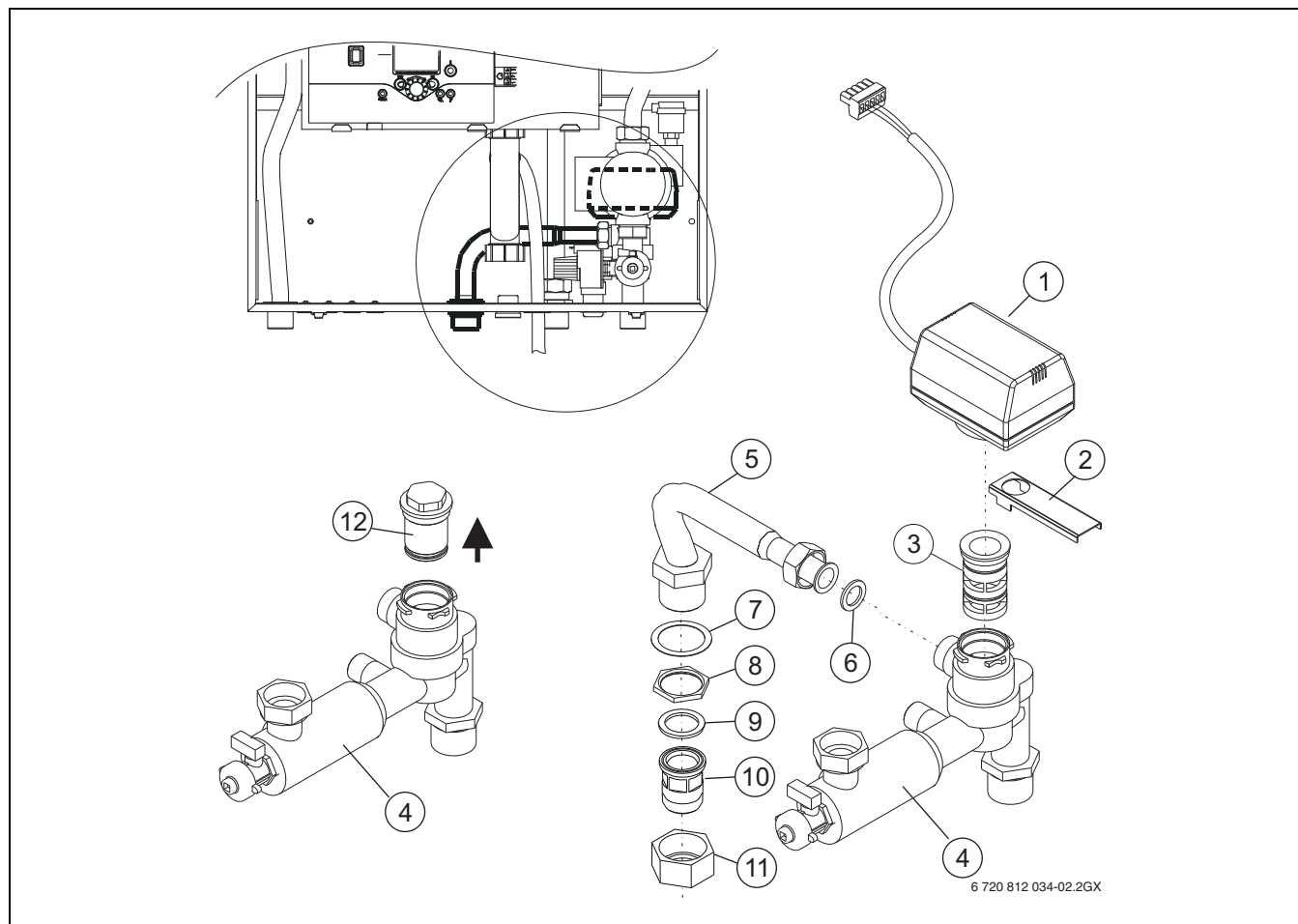


Fig. 2

- [1] Wired selective valve motor
- [2] Assembly wrench
- [3] Valve body cartridge
- [4] Heating return block
- [5] Tank return tube
- [6] Seal 24x17x3
- [7] Washer
- [8] Counter-nut
- [9] Seal 30x21x3
- [10] Coupling
- [11] Nut for flared nipple
- [12] Plug for heating return block

- ▶ Unscrew the plug [12] from the heating return block [4].
- ▶ Mount the cartridge [3] on the heating return block [4] using the key [2].
- ▶ Mount the pipe [5] with all the accessories (seals [6]/[9], washer [7], counter-nut [8], nut [11], coupling [10]),
- ▶ Clip the valve motor [1] onto the heating return block [4] and connect it to terminals X1b of the boiler's LMS management unit (→ section 3.3).
- ▶ Install the DHS sensor (→ Fig. 1, [1]) into the sensor pocket of the storage tank, then connect it to terminal 1 and 2 of the LMS (→ page 5) using the connector (→ Fig. 4, [1]) awaiting the boiler control panel.
- ▶ Fill the installation with water.
- ▶ Check the water-tightness.

3.2 Hydraulic Connection

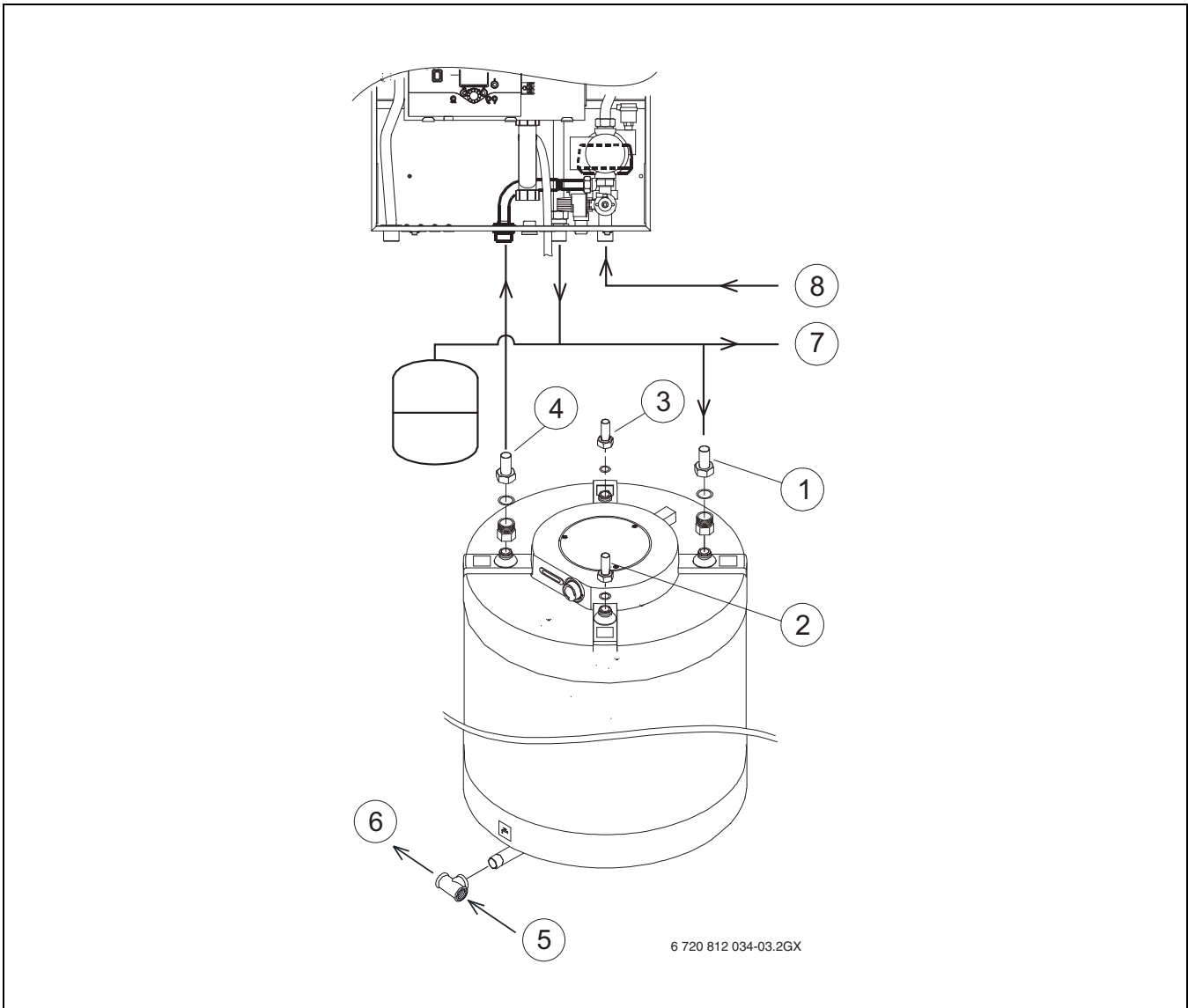


Fig. 3

- [1] Primary inlet
- [2] DHW outlet
- [3] Recycling
- [4] Primary outlet
- [5] DCW inlet
- [6] Domestic water drainage
- [7] Radiator flow
- [8] Radiator return

3.3 Electrical Connection

► Connect the motor [3] and the DHW sensor [2] (→Fig. 4).

NOTICE: Malfunction
 ► Match the polarities.

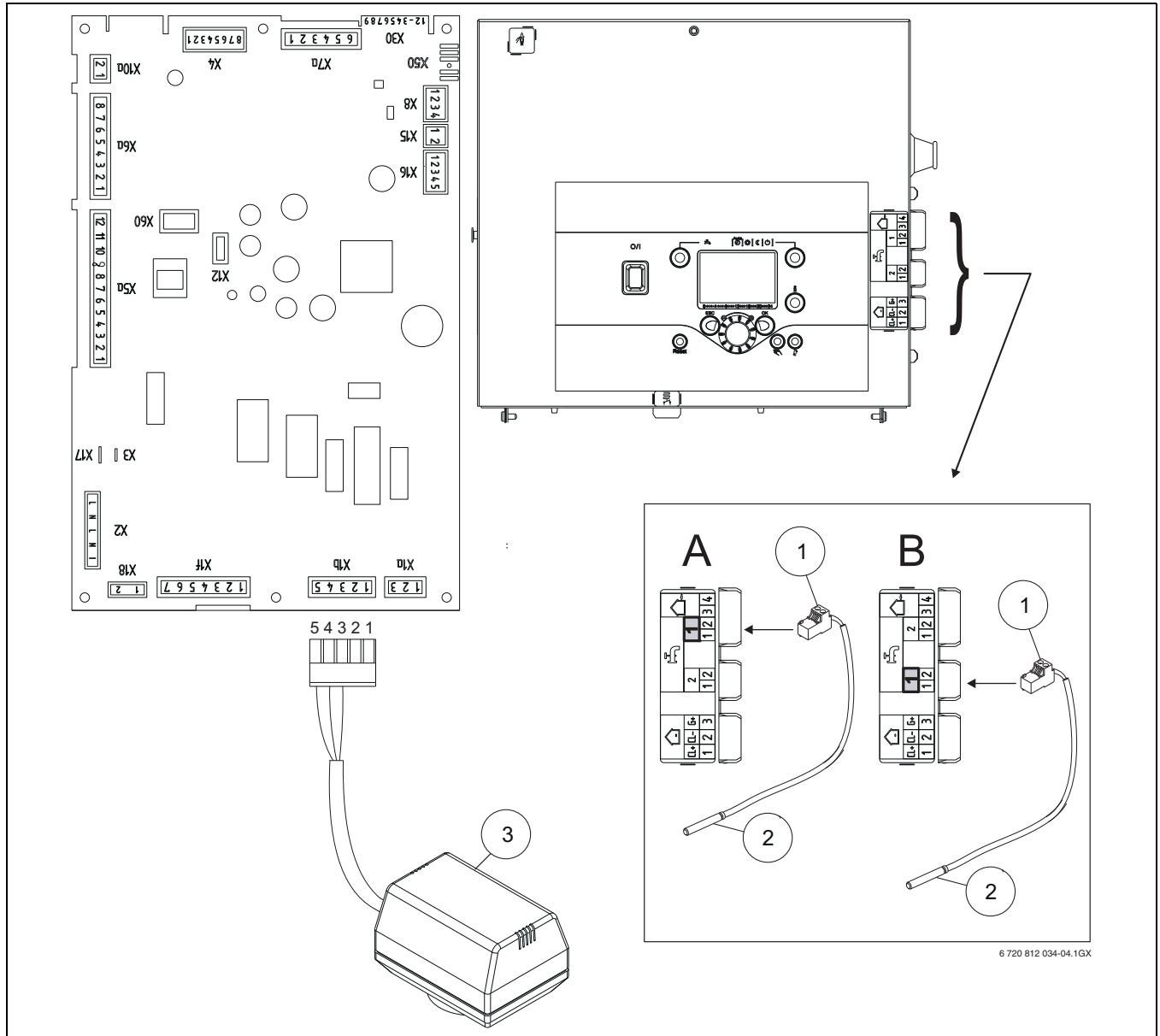


Fig. 4

- [1] Connector
- [2] Domestic water sensor
- [3] Wired selective valve motor

Notes

Notes

Bosch Thermotechnologie SAS
CS 80001
F-29410 Saint-Thégonnec
www.bosch-climate.fr


Geminox

